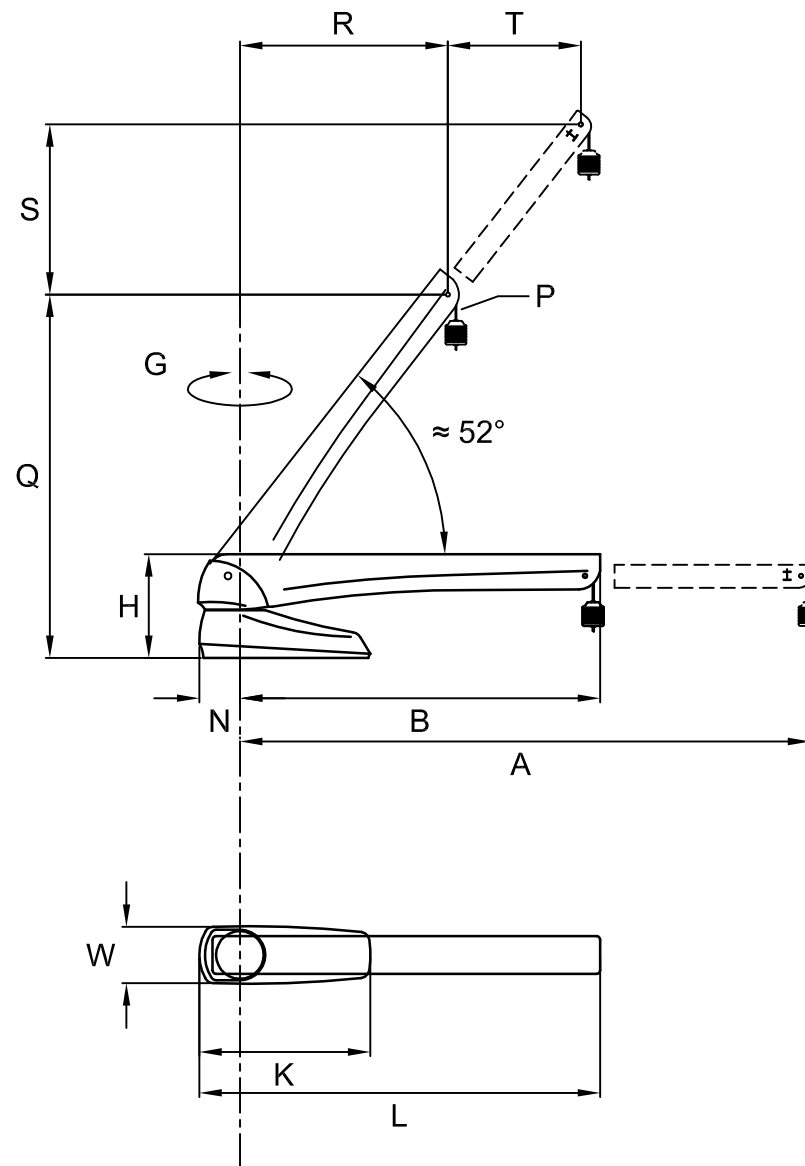


Lifting capacity (Kg)	400	400	400
A (mm)	3000	3500	4000
B (mm)	2070	2270	2460
H (mm)	750	750	750
G (°)	180 or 270		
K (mm)	1220	1220	1220
L (mm)	2360	2560	2860
N (mm)	290	290	290
P (mm)	4500	5200	6400
Q (mm)	2100	2300	2590
R (mm)	1125	1255	1480
S (mm)	780	1030	1215
W (mm)	400	400	400
Weight (Kg)	380	390	400



Product

G 409

Hydraulic Crane